

4

3

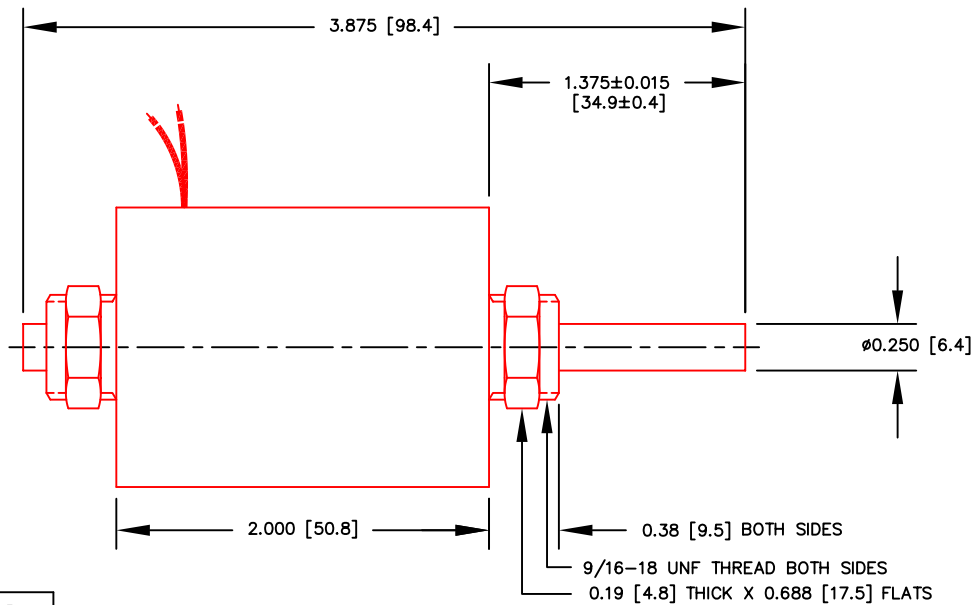
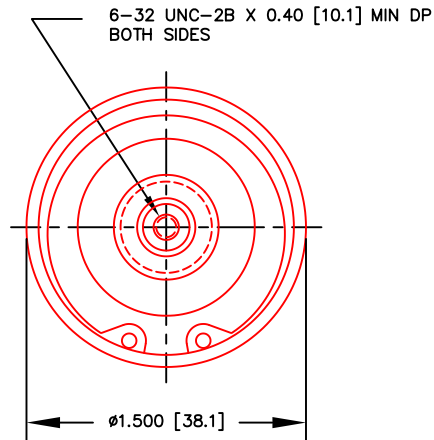
2

1

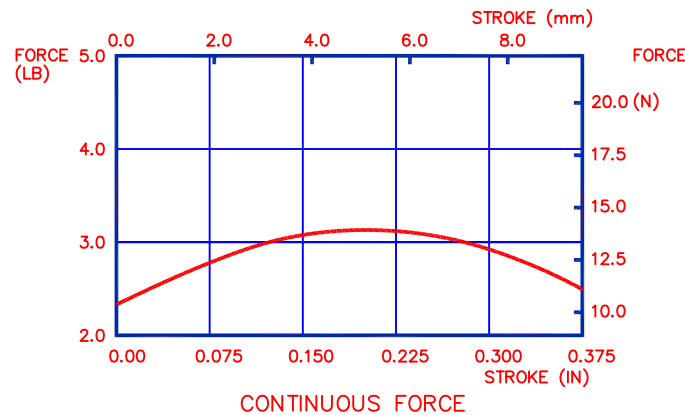
## REVISIONS

ZONE	LETTER	DESCRIPTION	DATE	CHECKED	APPROVED

SHOWN IN FORWARD EXTENDED SHAFT POSITION



INTERMITTENT FORCE @10% DUTY CYCLE	44.1 N	9.9 LB
CONTINUOUS FORCE	14.0 N	3.1 LB
FORCE CONSTANT	7.0 N/A	1.57 LB/A
BACK EMF CONSTANT	7.0 V/M/S	0.177 V/IN/S
STROKE	9.5 mm	0.375 IN
MOVING MASS	91 GR	3.21 OZ
TOTAL MASS	280 GR	9.9 OZ
COIL RESISTANCE	2.5 Ohms	
COIL INDUCTANCE @ 1000 Hz	1.2 mH	
MAX CONTINUOUS POWER	10.0 W	
MAX TOTAL SHAFT SIDE LOAD	24.0 N	5.4 Lb
LINEAR BEARING TYPE	PLAIN BUSHING	



THIS DOCUMENT, WHETHER OR NOT MARKED AS PROPRIETARY, IS CONSIDERED CONFIDENTIAL AND SHALL REMAIN THE PROPERTY OF MOTICONT AND SHALL BE RETURNED TO MOTICONT UPON REQUEST WITH ALL COPIES MADE THEREOF. THIS DOCUMENT CANNOT BE UTILIZED IN THE MANUFACTURE OF ARTICLES SOLD OR OFFERED OR DISCLOSED TO ANYONE AND NO USE OF IT CAN BE MADE UNLESS EXPRESSLY AUTHORIZED BY AND UNDER THE DIRECTION OF MOTICONT. POSSESSION OF THIS DOCUMENT IS ACCEPTED SUBJECT TO THE FOREGOING.

3-MOTOR MAY BE SUPPLIED WITH OPTIONAL SPRINGS.  
2-FOR PROPER HEAT DISSIPATION, THE MOTOR SHOULD BE MOUNTED ON A METALLIC BODY WITH ADEQUATE SURFACE AREA WITH AN UNRESTRICTED FLOW OF AIR.

1-ALL VALUES AT 25°C

NOTES:  
UNLESS OTHERWISE SPECIFIED

DIMENSIONS ARE IN INCHES (mm)  
TOLERANCES ON:  
DECIMALS FRACTIONS ANGLES  
.XXX .XX ± 1/125 ± 1/2°  
±.005±.01  
UNLESS OTHERWISE SPECIFIED

USED ON	NEXT ASSY
APPLICATION	

MATERIAL

FINISH

CONTRACT

DRN

CHKD

APPVD

APPVD

motiCont

LINEAR DIRECT DRIVE MOTOR

SIZE

A

CODE

DWG. NO.

DDL M-038-051-01

REV.

2

SCALE: 1 / 1

SHEET 1 OF 1

4

3

2

1