

4

3

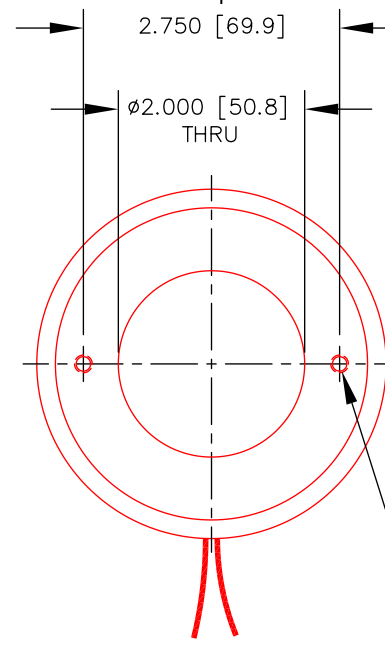
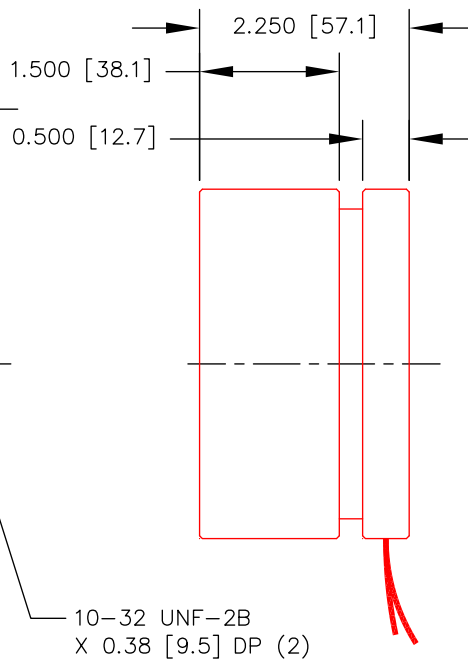
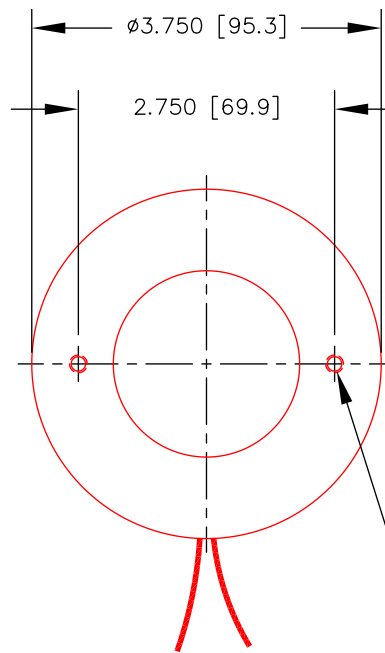
2

1

SHOWN AT MID-STROKE

REVISIONS

ZONE	LETTER	DESCRIPTION	DATE	CHECKED	APPROVED



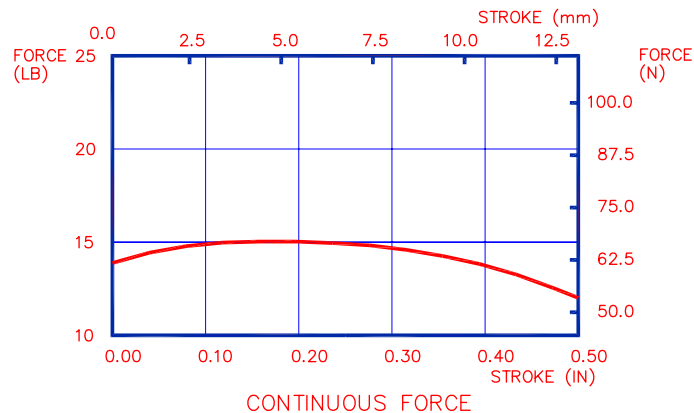
10-32 UNF-2B
X 0.38 [9.5] DP (2)

10-32 UNF-2B
X 0.38 [9.5] DP (2)

INTERMITTENT FORCE @10% DUTY CYCLE	211.0 N	47.5 LB
CONTINUOUS FORCE	66.7 N	15.0 LB
FORCE CONSTANT	24.8 N/A	5.6 LB/A
BACK EMF CONSTANT	24.8 V/M/S	0.63 V/IN/S
STROKE	12.7 mm	0.50 IN
COIL CLEARANCE PER SIDE	0.64 mm	0.025 IN
COIL ASSY MASS	286 GR	0.63 LB
BODY MASS	1.27 KG	2.80 LB
COIL RESISTANCE	6.2 Ohms	
COIL INDUCTANCE @ 1000 Hz	3.8 mH	
MAX CONTINUOUS POWER	45 W	

ALL VALUES AT 25°C

NOTES:
UNLESS OTHERWISE SPECIFIED



THIS DOCUMENT, WHETHER OR NOT MARKED AS PROPRIETARY, IS CONSIDERED CONFIDENTIAL AND SHALL REMAIN THE PROPERTY OF MOTICONT AND SHALL BE RETURNED TO MOTICONT UPON REQUEST WITH ALL COPIES MADE THEREOF. THIS DOCUMENT CANNOT BE UTILIZED IN THE MANUFACTURE OF ARTICLES SOLD OR OFFERED OR DISCLOSED TO ANYONE AND NO USE OF IT CAN BE MADE UNLESS EXPRESSLY AUTHORIZED BY AND UNDER THE DIRECTION OF MOTICONT. POSSESSION OF THIS DOCUMENT IS ACCEPTED SUBJECT TO THE FOREGOING.

DIMENSIONS ARE IN INCHES (mm)
TOLERANCES ON:
DECIMALS FRACTIONS ANGLES
.XXX .XX ± 1/125 ± 1/2°
± .005 ± .01
UNLESS OTHERWISE SPECIFIED

MATERIAL

CONTRACT

motiCont

USED ON	NEXT ASSY
APPLICATION	

FINISH

DRN

CHKD

APPVD

APPVD

LINEAR VOICE COIL MOTOR

SIZE
A

CODE

DWG. NO.

REV.

HVCM-095-038-051-01 1

SCALE: 1 / 2 SHEET 1 OF 1

4

3

2

1