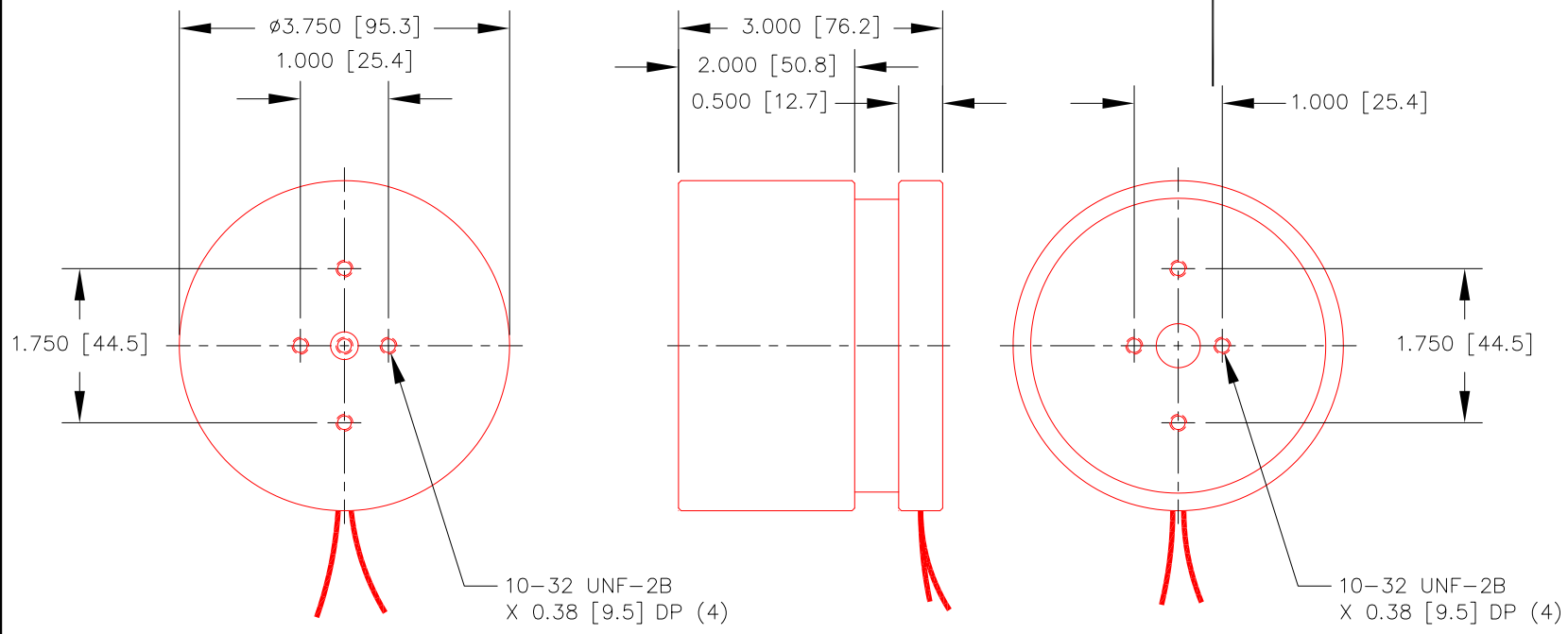


4 3 2 1

| REVISIONS | | | | | |
|-----------|--------|-------------|------|---------|----------|
| ZONE | LETTER | DESCRIPTION | DATE | CHECKED | APPROVED |
| | | | | | |

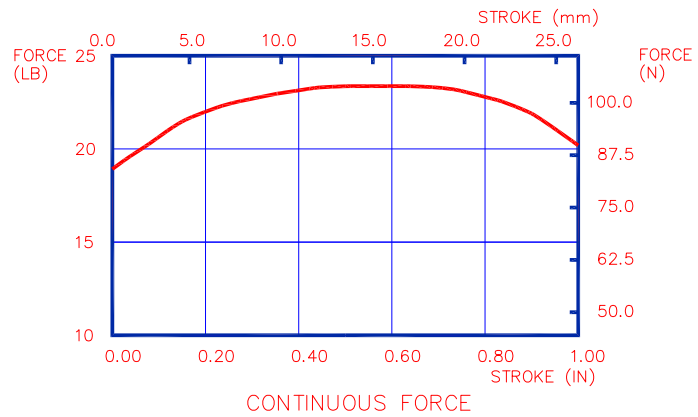
SHOWN AT MID-STROKE



| | | |
|------------------------------------|------------|-------------|
| INTERMITTENT FORCE @10% DUTY CYCLE | 328.7 N | 74.0 LB |
| CONTINUOUS FORCE | 104.0 N | 23.5 LB |
| FORCE CONSTANT | 44.8 N/A | 10.1 LB/A |
| BACK EMF CONSTANT | 44.8 V/M/S | 1.14 V/IN/S |
| STROKE | 25.4 mm | 1.00 IN |
| COIL CLEARANCE PER SIDE | 0.64 mm | 0.025 IN |
| COIL ASSY MASS | 395 GR | 0.87 LB |
| BODY MASS | 2.42 KG | 5.34 LB |
| COIL RESISTANCE | 9.3 Ohms | |
| COIL INDUCTANCE @ 1000 Hz | 5.0 mH | |
| MAX CONTINUOUS POWER | 50 W | |

ALL VALUES AT 25°C

NOTES :
UNLESS OTHERWISE SPECIFIED



THIS DOCUMENT, WHETHER OR NOT MARKED AS PROPRIETARY, IS CONSIDERED CONFIDENTIAL AND SHALL REMAIN THE PROPERTY OF MOTICONT AND SHALL BE RETURNED TO MOTICONT UPON REQUEST WITH ALL COPIES MADE THEREOF. THIS DOCUMENT CANNOT BE UTILIZED IN THE MANUFACTURE OF ARTICLES SOLD OR OFFERED OR DISCLOSED TO ANYONE AND NO USE OF IT CAN BE MADE UNLESS EXPRESSLY AUTHORIZED BY AND UNDER THE DIRECTION OF MOTICONT. POSSESSION OF THIS DOCUMENT IS ACCEPTED SUBJECT TO THE FOREGOING.

| | | | | | | | |
|---|--|----------|----------|--|---|--|--|
| DIMENSIONS ARE IN INCHES (mm) TOLERANCES ON: DECIMALS FRACTIONS ANGLES .XXX .XX ± 1/125 ± 1/2" ± .005 ± .01 UNLESS OTHERWISE SPECIFIED | | MATERIAL | CONTRACT | | | | |
| FINISH | | DRN | | | | | |
| USED ON | | CHKD | | | LINEAR VOICE COIL MOTOR SIZE CODE DWG. NO. REV. A LVCM-095-051-01 1 | | |
| NEXT ASSY | | APPVD | | | | | |
| APPLICATION | | APPVD | | | SCALE: 1 / 2 SHEET 1 OF 1 | | |

B
C
D
A